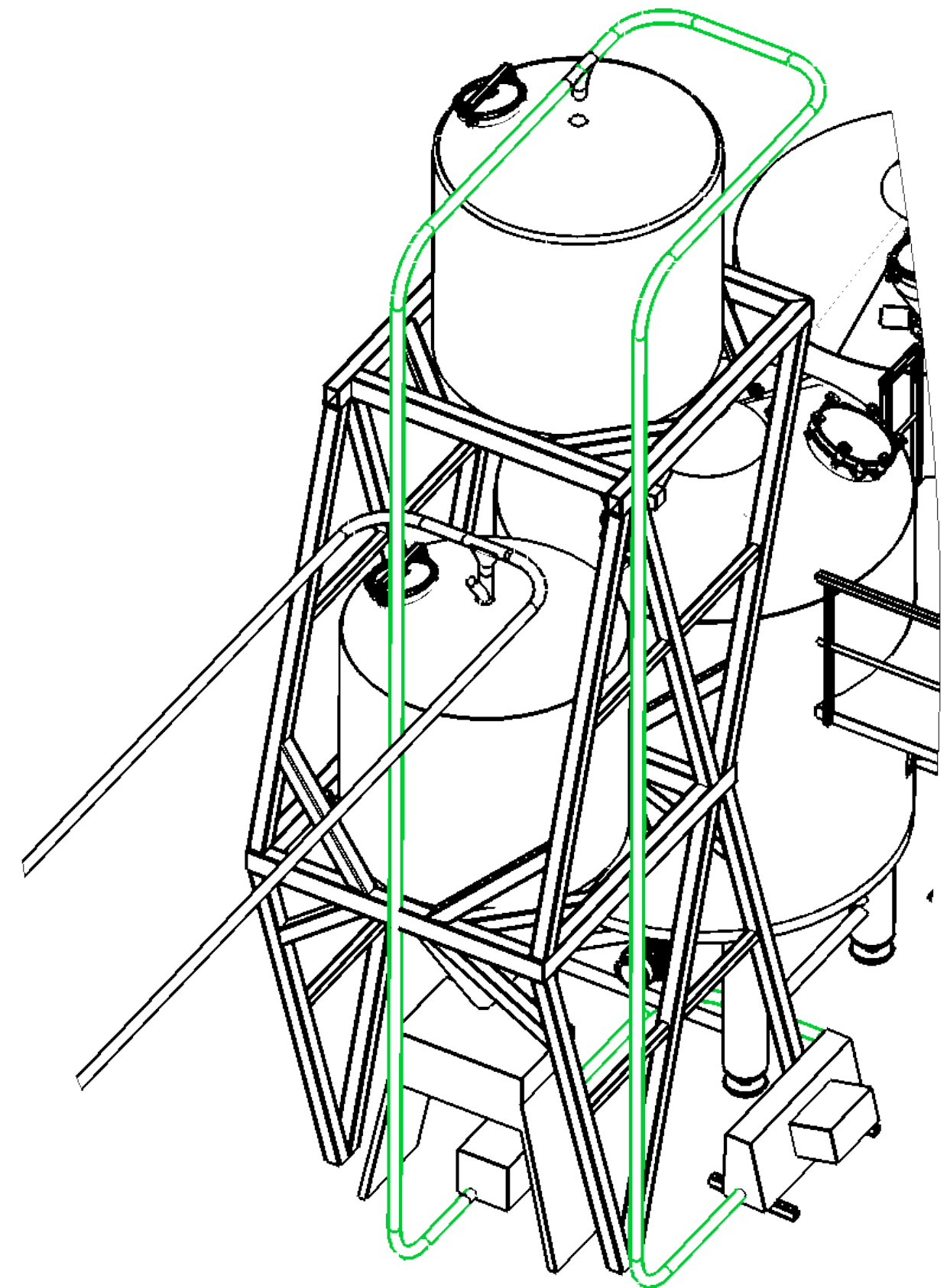
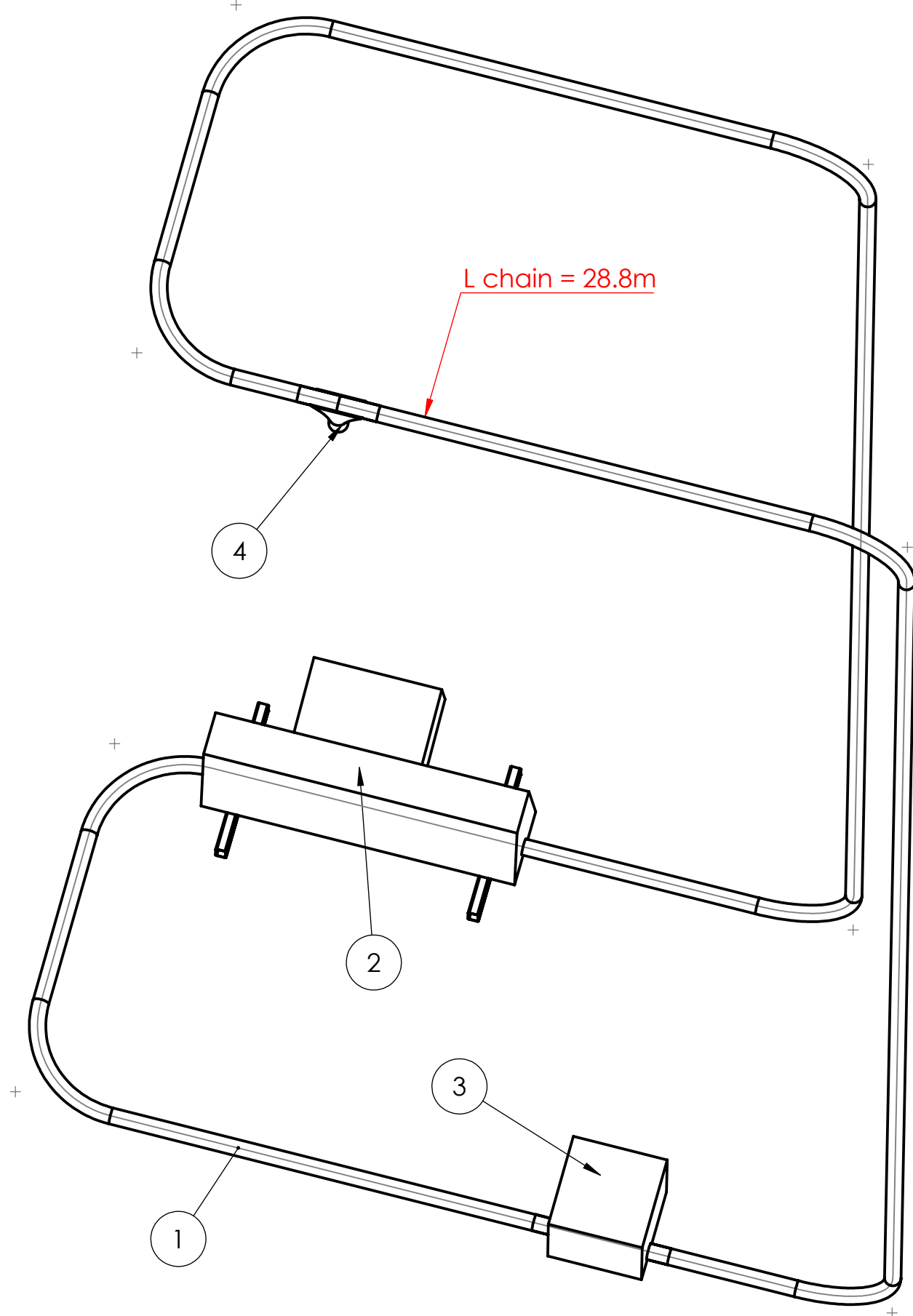


This drawing is Ricci-engineering property. This document and its contents are our exclusive property and must not be copied, reproduced, transmitted or communicated to any other party to be used for purposes not permitted by us.



Poz.	Descrizione	Standard	Fornitore	Material	Cant.
1	Pipe , bends and chain	MM6			1
2		Gruppo traio AN60_ HP__ B3 inox	Falcon		1
3		Tramoggia di carico a una via AN60 inox cod. 601550			1
4		Giunto di scarico P60_80 cod.601246	Falcon	PVC	1

Revision	Date

Format: A3	Scale: 1:200	Quantity: 1	Sheet: 1 Sheets: 1	Material:	 www.ricci-eng.com			
Name: Conveyor - isometric view			Drawing number: 1537 conveyor maltmil-malttank51030			Nr.contract: 1534		
Drawn: Bumbu M.	07/15/16	Signature:	 Tolerance		Generale	Mechanical	Sheet metal	Plasma cut
Checked: Afteni S.					Linear: ±0.1mm	h-14	0 < < 1m: ±0.5mm	±0.5mm
Appr.: Ricci M.					Angular: ±0.1°	H-14	1m < < 3m: ±1mm	Punching
					j-14	>3m: ±2mm	±0.5mm	